

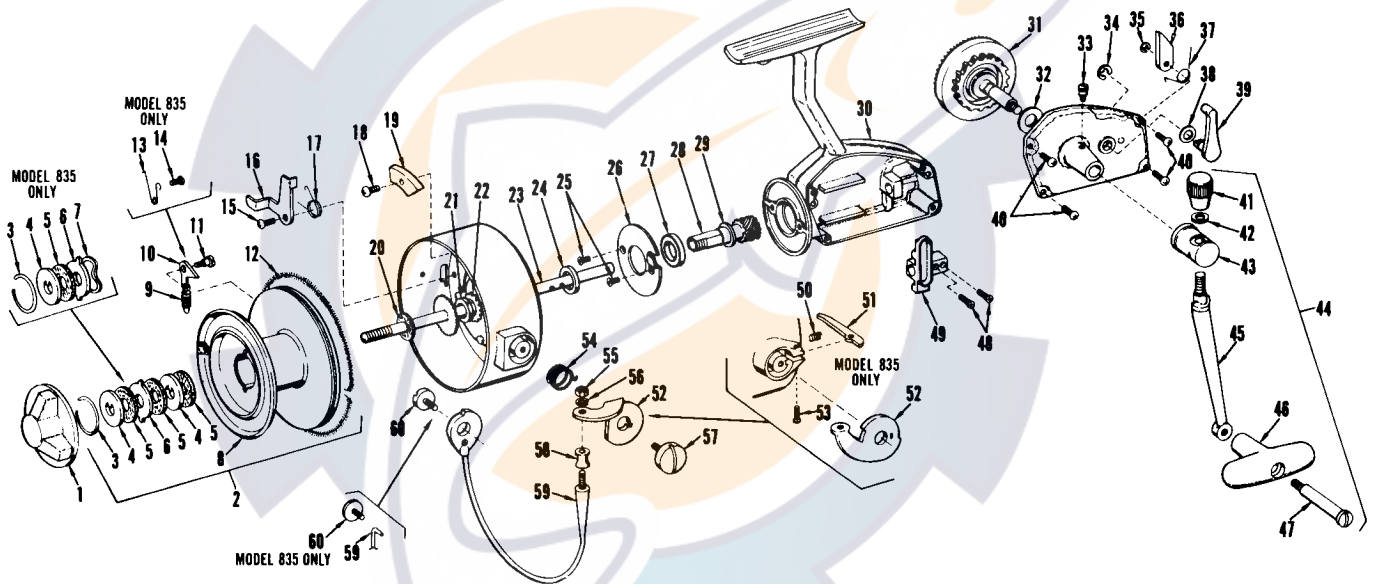
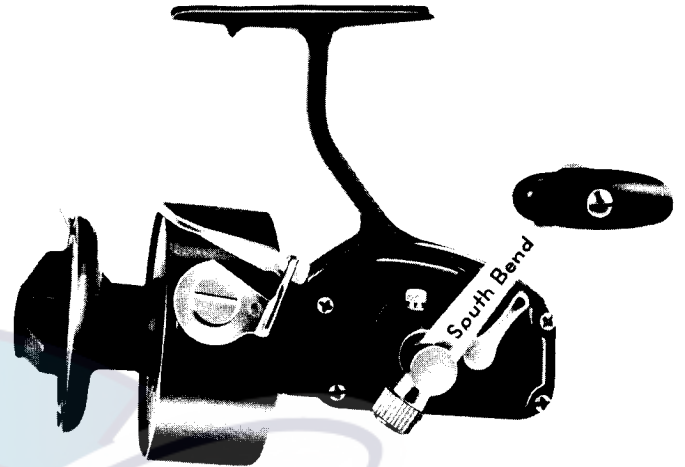


GLADDING
South Bend Tackle Co., Inc.
 Division of **GLADDING** Corporation

850

3-210-850

SPINNING REEL



Detail No.	Part Name	Part No.	Price	Detail No.	Part Name	Part No.	Price
1	Drag Nut	SPA85	.85	31	Drive Gear	93	.90
2	Spool (complete w/internal parts)	SPA87	3.75	32	Drive Gear Washer	94	.10
3	Retaining Ring	SPA89	.10	33	Oiling Screw	95	.30
4	Drag Keyed Washer (2 req'd.)	91	.15	34	Lever Retaining Clip	96	.10
5	Drag Fiber Washer (3 req'd.)	93	.15	35	Pawl Retaining Clip	97	.10
6	Drag Eared Washer	SPA95	.15	36	Non-Reverse Pawl	98	.20
7	Tension Washer	SPA97	.15	37	Pawl Spring	99	.15
8	Spool	SPA99	3.00	38	Non-Reverse Lever Washer	SPC1	.10
9	Click Pawl Spring	SPB61	.15	39	Non-Reverse Lever	SPC2	.30
10	Click Pawl	SPB62	.15	40	Cover Plate Screws (4 req'd.)	3	.10
11	Click Pawl Screw	SPB63	.15	41	Crank Lock Nut	4	.45
12	Line Guard	SPB65	.15	42	Crank Lock Washer	5	.10
15	Trip Lever Screw	SPB68	.10	43	Crank Mounting Nut	6	.64
16	Trip Lever	SPB60	.50	44	Crank Assembly	8	2.85
17	Trip Lever Spring	SPB69	.25	45	Crank Arm	10	.75
18	Counter Balance Screw	SPB70	.10	46	Crank Handle	12	.55
19	Counter Balance	SPB72	.35	47	Crank Handle Screw	14	.50
20	Spool Washer	73	.10	48	Level Wind Bracket Screws	15	.10
21	Pickup Housing Nut	SPB75	.15	49	Level Wind Bracket	18	.30
22	Lock Washer	77	.10	52	Bail Bracket	22	.35
23	Main Shaft	79	.85	54	Bail Bracket Spring	24	.30
24	Pinion Washer - Thick	81	.15	55	Line Roller Nut	26	.20
25	Bearing Plate Screws	82	2@.10	56	Lock Washer	27	.10
26	Bearing Plate	SPB84	.30	57	Bail Bracket Screw	28	.70
27	Ball Bearing	SPB86	2.60	58	Line Roller	30	.30
28	Pinion Gear	88	1.75	59	Bail Wire Assembly	32	1.06
29	Pinion Washer - Thin	90	.15	60	Bail Retaining Screw	34	.70
30	Frame	92	3.50				